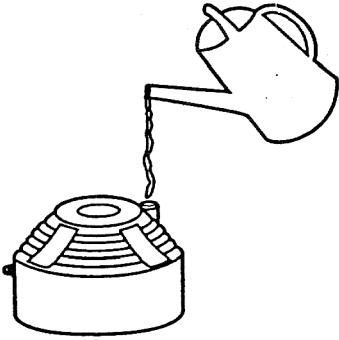
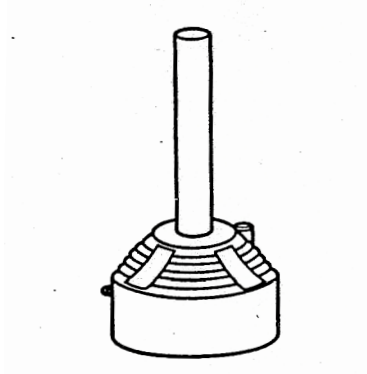


BISHOP PLAYSPORT KWIK TENNIS

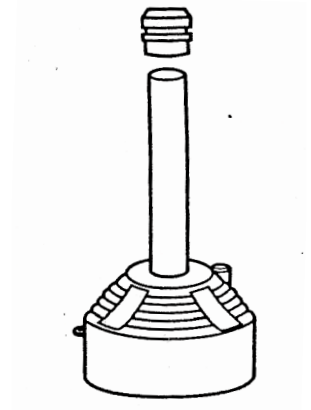
Assembly Instructions



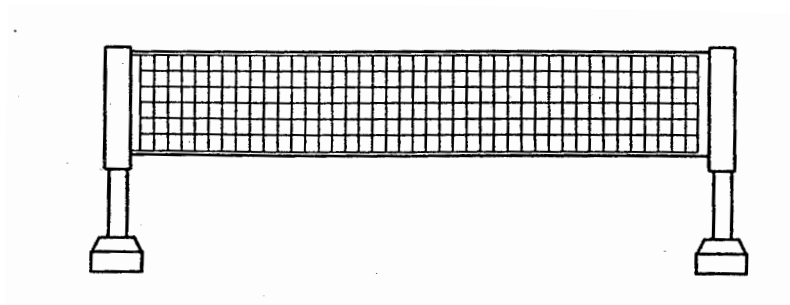
1. Fill the bases with water.



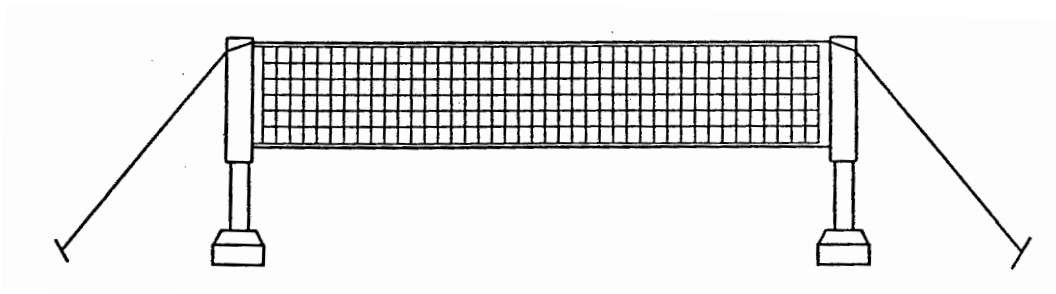
2. Plug the plastic pole directly into the base.



3. Put the plastic cap into the top of the plastic pole.



4. Unfold the net and slip both ends over the two plastic poles.



5. Pull the two plastic poles away from each other until the net is tight. For outdoor use, attach the plastic tees to the guide ropes and fix into the ground for extra stability.